



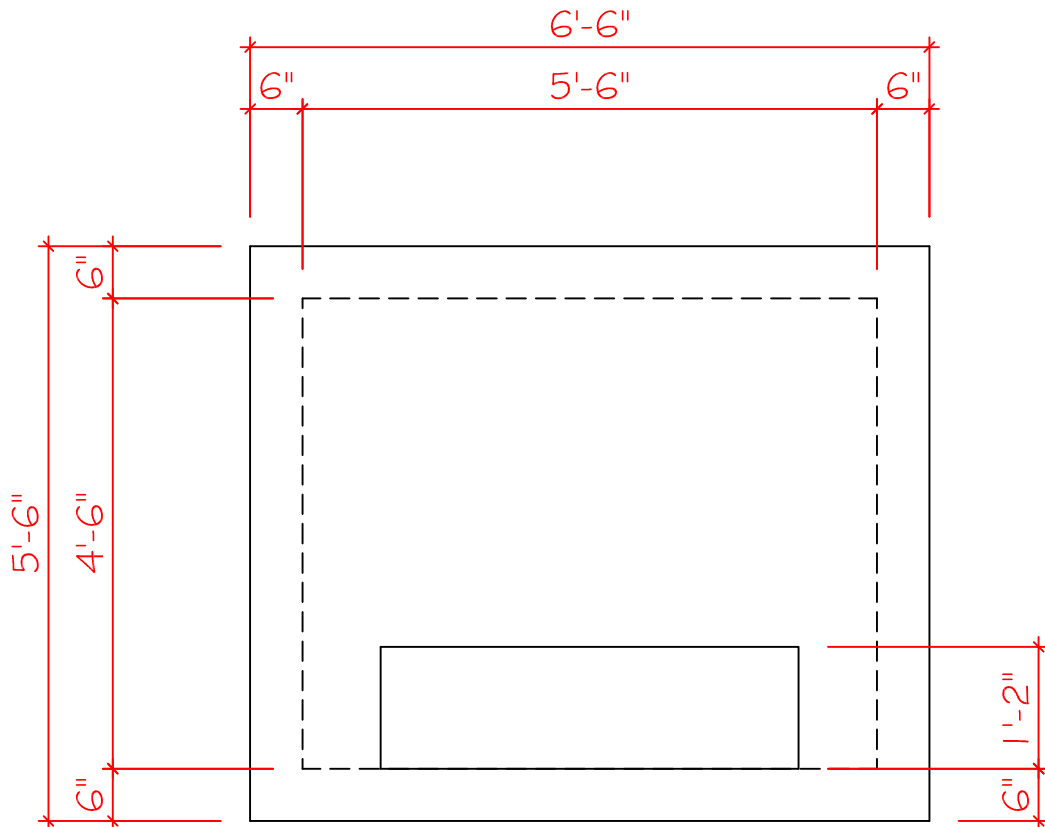
SPO# _____

CUSTOMER: _____

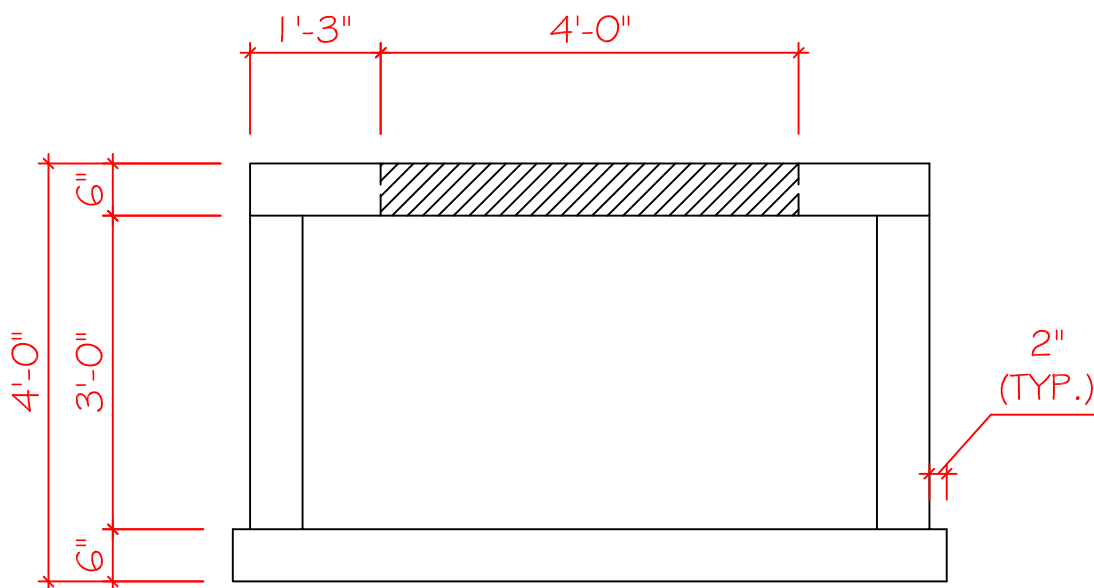
PROJECT: _____

FIRST ENERGY TRANS VAULT

225 - 1000KVA



PLAN VIEW



ELEVATION

UNITED PRECAST INC.
P.O. BOX 991
MT. VERNON, OHIO 43050