

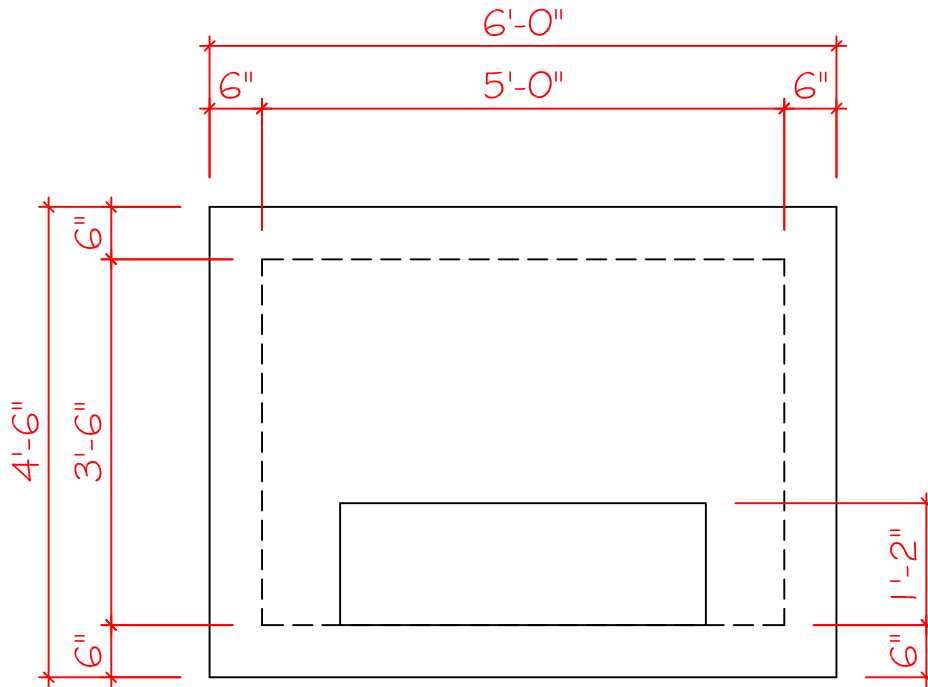


SPO# _____

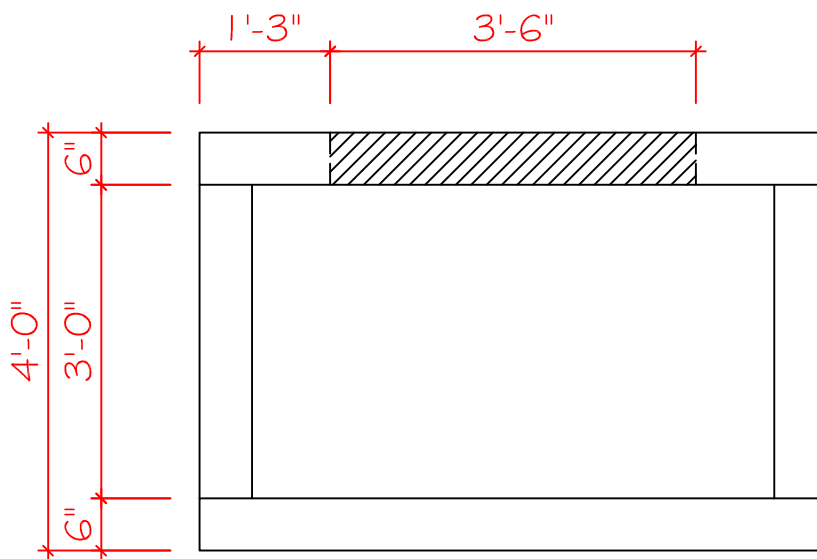
CUSTOMER: _____

PROJECT: _____

FIRST ENERGY TRANS VAULT
150KVA & BELOW



PLAN VIEW



ELEVATION

UNITED PRECAST INC.
P.O. BOX 991
MT. VERNON, OHIO 43050