

Box Culverts

United Precast, Inc. can design and produce 4-sided box culverts, 3-sided flat-top structures and various miscellaneous utility and drainage trenches. We also produce Con-Span and BEBO arches for Contech Solutions, Inc. In addition to our design and production services, we also offer installation and/or installation technicians for erection for most sizes of the aforementioned structures, with the exception of the Contech products.

Box Culverts can be fabricated in sizes ranging from 3' x 2' up to 20' x 10', all meeting AASHTO, ASTM and Ohio Department of Transportation design standards. Box culverts can also be designed to meet E-80 railroad rating if necessary.

3-sided flat-top structures can be fabricated with spans up to 42' and rises up to 11', depending on the span.

United Precast has extensive experience working in both the public and private sectors, as well as great deal of familiarity in working with design/build projects.



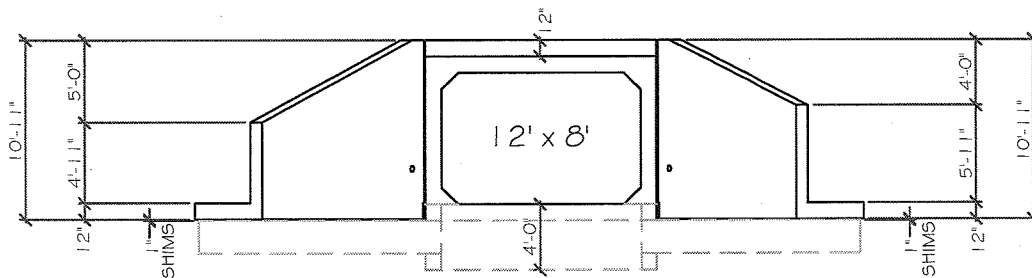
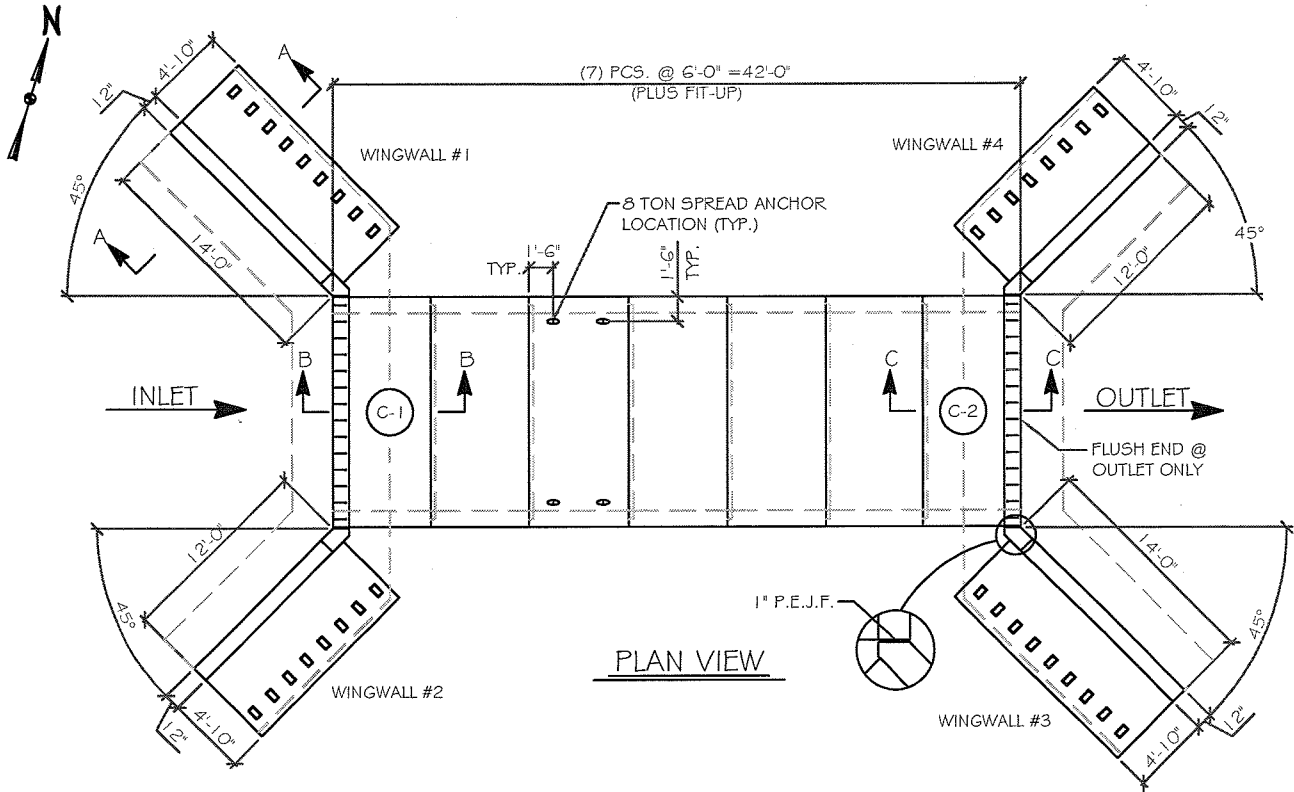
SPO# _____

CUSTOMER: _____

PROJECT: _____

DETAIL

12' x 8' BOX CULVERT



UNITED PRECAST INC.
P.O. BOX 991
MT. VERNON, OHIO 43050

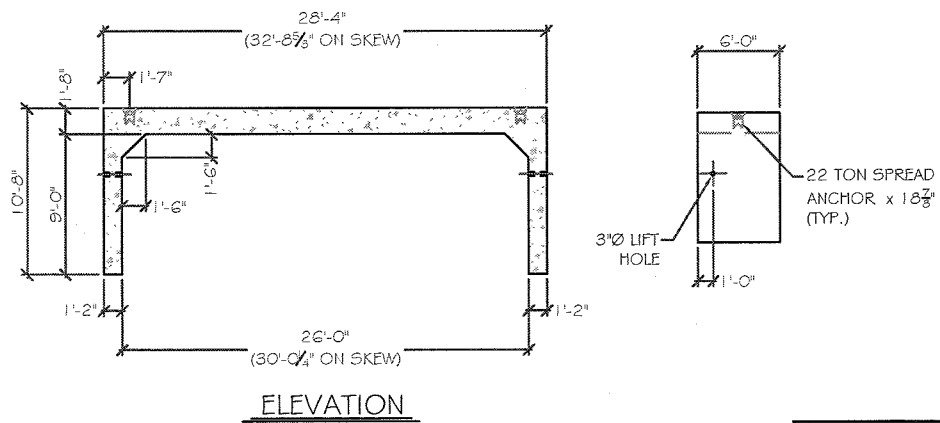
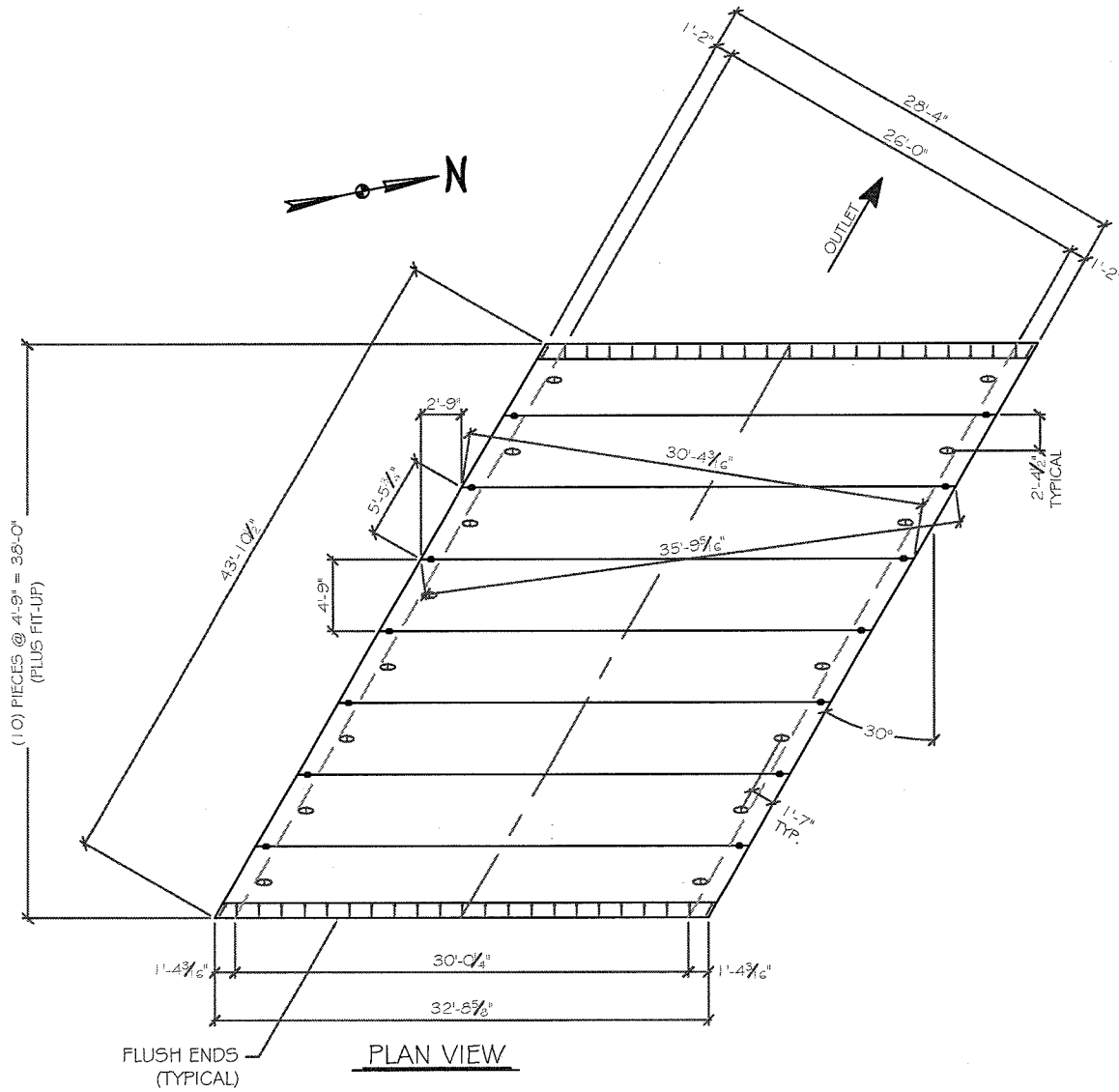


SPO# _____

CUSTOMER: _____

PROJECT: _____

DETAIL
3-SIDED CULVERT



UNITED PRECAST INC.
P.O. BOX 991
MT. VERNON, OHIO 43050